

Procona® ***Direct***

Eliminate vase sanitizing, water/plant food mixing, stem cutting and unnecessary handling. Double the amount of displayed product and save time and money with Procona Direct. Flowers maintain their original level of quality with reduced handling and maintenance.



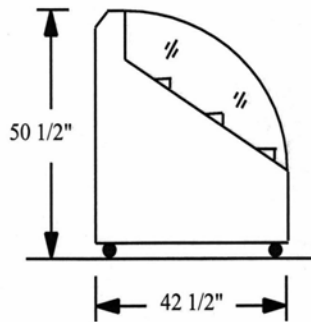
Shown with select options

Standard Features

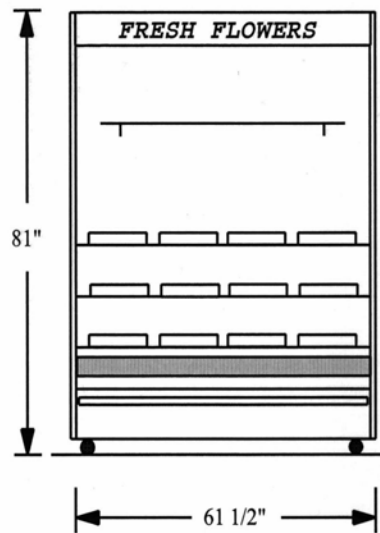
- Open design promotes impulse buying
- Modular design, can be combined with other displays to form endless configurations
- Highest capacity, with smallest footprint, of any floral cooler in the industry
- Patented “Boundary Layer” airflow technology directly cools vases and gently envelopes flowers
- “Maintenance Free” return air grill prevents debris from entering the cooling system
- Condenser air inlet minimizes dust entrapment on condenser coil, reducing maintenance
- Power cord provided for safe and easy set-up
- Thermostatically controlled with an automatic “on demand” defrost cycle
- Mounted on 4 lockable swivel casters for easy service or relocation
- Bumper on front protects from shopping carts
- Matte black exterior and interior are standard
- High density laminated panels and powder coated aluminum components for durability
- Oversized evaporator coil minimizes moisture removal, keeping relative humidity high
- Automatic condensate removal, no drains required
- Ozone friendly 404a refrigerant; R22 available

Options

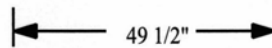
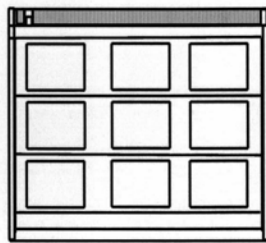
- Side windows
- Special finishes and colors in gloss or matte
- Vase hole covers or risers
- Lighting and signage options
- Slatwall for additional merchandising
- Remote refrigeration system
- Stainless steel decking
- 4 year extended compressor warranty—5 year total



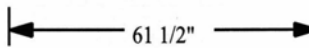
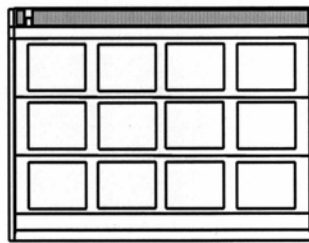
Typical Side View



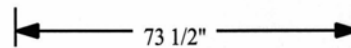
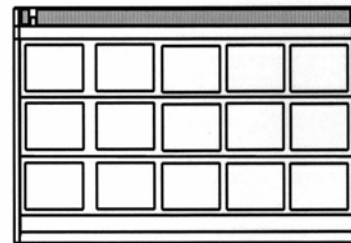
5-ft RFCL260-P Shown



4-ft RFCL248(LP)
Procona Shown



5-ft RFCL260(LP)
Procona Shown



6-ft RFCL272(LP)
Procona Shown

Units are designed to accept either the 25 cm (11.8") or 35 cm (16.5") height "Florida" Proconas.

Specifications



Approved to UL471 and CSA C22.2

Model	Width	Height	Depth	Ship (lbs)	Unit HP	Electrical	Amps	Procona Capacity Std.
RFCL248LP-P	49 1/2"	50 1/2"	42 1/2"	500	1	208-230/115/60/1	30	(9) 24 x 30 cm Procona
RFCL260LP-P	61 1/2"	50 1/2"	42 1/2"	600	1	208-230/115/60/1	30	(12) 24 x 30 cm Procona
RFCL272LP-P	73 1/2"	50 1/2"	42 1/2"	800	1	208-230/115/60/1	30	(15) 24 x 30 cm Procona
RFCL296LP-P	99"	50 1/2"	42 1/2"	1000	(2) 1	208-230/115/60/1	(2) 30	(18) 24 x 30 cm Procona
RFCL2120LP-P	123"	50 1/2"	42 1/2"	1200	(2) 1	208-230/115/60/1	(2) 30	(24) 24 x 30 cm Procona
RFCL2144LP-P	147"	50 1/2"	42 1/2"	1600	(2) 1	208-230/115/60/1	(2) 30	(30) 24 x 30 cm Procona

Note: Low Profile Flower Merchant models shown above. Upright Flower Merchant Procona available in the same widths. All Upright heights are 81". Other specifications match models listed above. All capacities shown are for "Florida" sized Procona.

The **Low Profile Procona Flower Merchant** and **Upright Procona Flower Merchant** are designed for use in air conditioned areas having a maximum temperature of 75°F or maximum relative humidity of 50%.

Unit covered by Patent No. 400,030 & 5,860,289

Always Open® Impulse merchandisers **Classic** Full service merchandisers
7000 Performance Drive • N. Syracuse, NY 13212 • 800-535-3295 • 315-452-7440 • Fax 315-452-7420 •

Website: www.floratech.net